

14

13

12

REV. DRAWING NO.

27L1002

REV.

0

SHEET

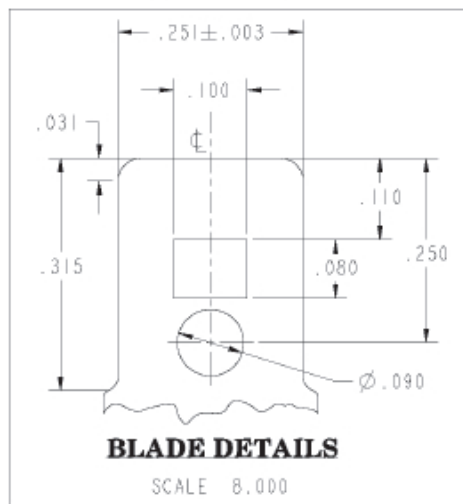
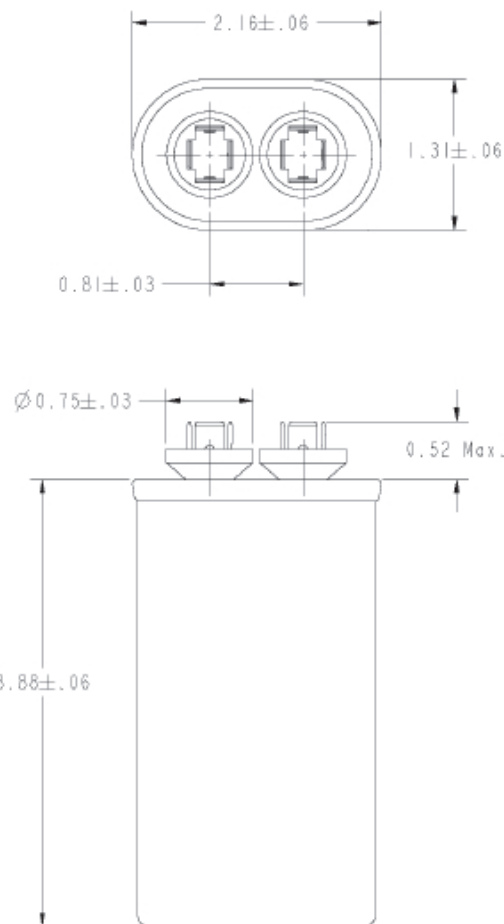
1

RBC PROPRIETARY AND CONFIDENTIAL INFORMATION

This document is the property of REGAL-BELOIT CORPORATION ("RBC") including its subsidiaries and affiliates and contains proprietary information of RBC. This document is issued on the express condition that neither its use nor the information contained herein shall be disclosed in whole or in part to any third party without the express written consent of RBC and that the original use shall be limited to the specific use for which it was issued by RBC. This document shall be returned to RBC upon the request. This document may be subject to certain restrictions under U.S. export control laws and regulations.

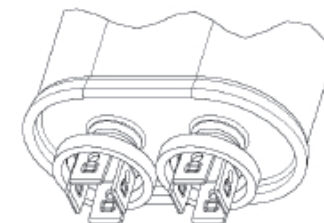
REVISIONS

REV.	DESCRIPTION	DATE	APPROVED



BLADE DETAILS

SCALE 8.000



SCALE 1.500

SPECIFICATIONS :

"GEM-III Capacitors are manufactured with High Grade Metallized Polypropylene Film"

Main Capacitance	: 20.00 μ F \pm 6%
Secondary Capacitance	: NIL
Volts	: 370AC
Leakage Current	: 30 μ A Max.
Frequency	: 50/60 HZ
Operating Temperature	: -40 DEG C TO 70 DEG C
Storage Temperature	: -40 DEG C TO 90 DEG C
Operative Life	: 60,000 HRS WITH 94% SURVIVAL
Dissipation Factor	: 0.1% MAX.
Case Material	: ALUMINIUM
Cover Material	: STEEL TIN PLATED
Terminals	: 0.250"x0.031" Quick Connect Blades
Dielectric Fluid	: DIELEKTROL VI
Internal Protection	: UL RECOGNIZED PRESSURE SENSITIVE INTERRUPTER

FOR ADDITIONAL INFO REFER TO:	SIGNATURES	DATE
APPLIED PRACTICES	MODEL	NT05004 11/28/07
UNLESS OTHERWISE SPECIFIED DIMENSIONS ARE IN INCHES	DETAIL	NT05004 11/28/07
TOLERANCE ON:	CHECKED	HW 11/28/07
1 PL DECIMALS \pm 0.1	ENGR	
2 PL DECIMALS \pm 0.01	HW	
3 PL DECIMALS \pm 0.001	QUALITY	
ANGLES \pm 0.5	ISSUED	
FRACTIONS \pm		
FINISH		
MATERIAL	SOLID MODEL	27CAPACITOR_ASM



REGAL-BELOIT CORPORATION

TITLE

GEM III CAPACITOR
OUTLINE DRAWING

SIZE DRAWING

C

27L1002

REV

0

SCALE: 1.250

REF. No.

SHEET 1 OF 1

THIRD ANGLE PROJECTION



14

13

12

11